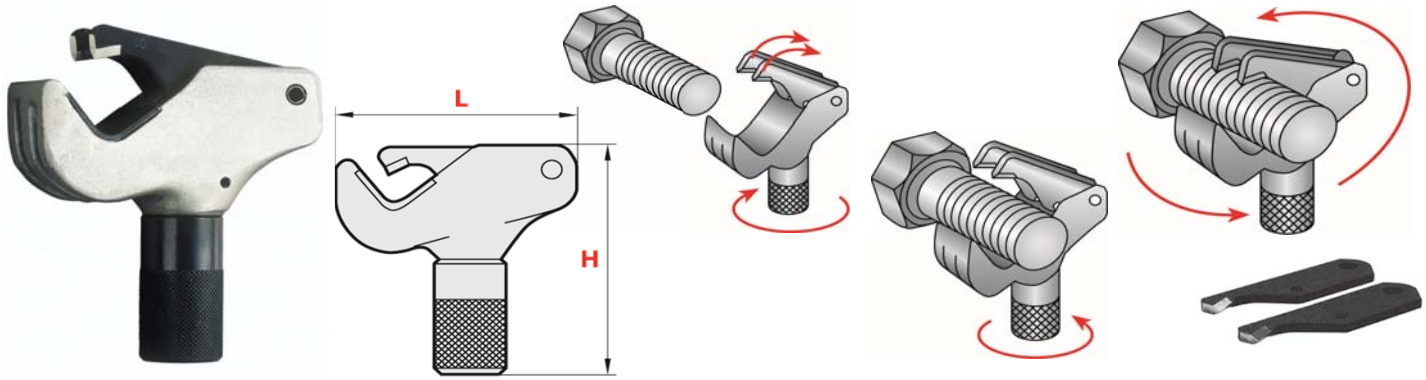
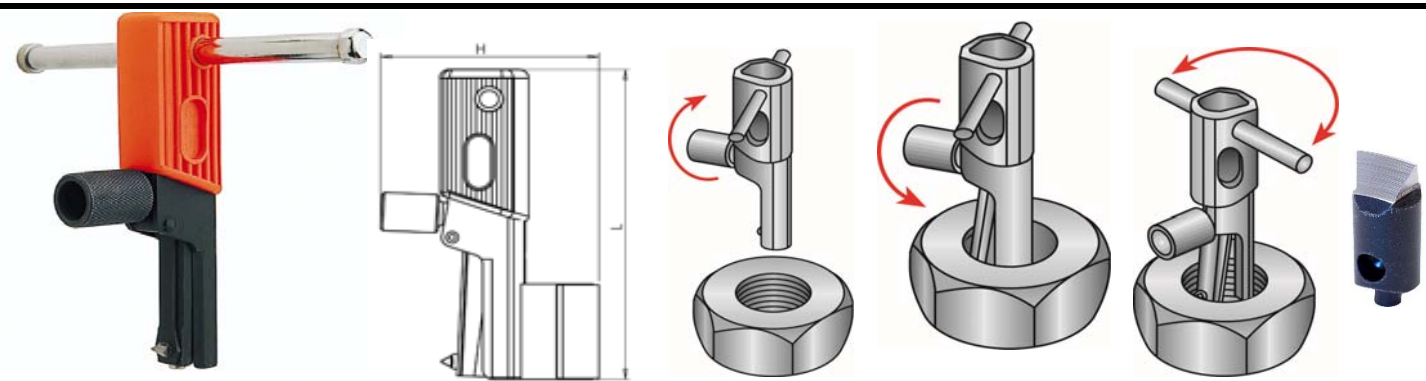


**REGENERATEUR DE FILETS ABIMES - 60° (M NF NC..) & 55° (WW GAZ)  
HERSTELLER VAN UIT- EN INWENDIGE BESCHADIGDE DRADEN  
UNIVERSAL THREAD REPAIR TOOL**



EXTERIEUR UITWENDIG	CAPACITE - CAPACITEIT			L x H		COUPEAU MES	UN - WW	
	M - MF	UN - WW	BSP - GAZ					
<b>NES1A</b>	<b>M4 - M19</b>	5/32-3/4	1/4-3/8	61 x 23		NES1RK160° NES1RK155°	60° 55°	
<b>NES2</b>	<b>M17 - M38</b>	11/16-1"1/2	3/8-1"1/8	105 x 32		NES2RK160° NES2RK155°	60° 55°	
<b>NES3</b>	<b>M35 - M152</b>	1"3/8-6"	1"-5"1/2	305 x 32		NES3RK160° NES3RK155°	60° 55°	



INTERIEUR INWENDIG	CAPACITE - CAPACITEIT			L x H		COUPEAU MES	UN - WW	
	M - MF	UN - WW	BSP - GAZ					
<b>NES21</b>	<b>M8 - M11</b>	5/16-7/16	1/16-1/8	109 x 45		NESRK2160° NESRK2155°	60° 55°	
<b>NES22</b>	<b>M12 - M16</b>	1/2-5/8	1/4-3/8	109 x 45		NESRK2260° NESRK2255°	60° 55°	
<b>NES23</b>	<b>M16 - M20</b>	11/16-13/16	3/8-1/2	111 x 53		NESRK2360° NESRK2355°	60° 55°	
<b>NES24</b>	<b>M22 - M32</b>	7/8-1"1/4	1/2-7/8	136 x 64		NESRK2460° NESRK2455°	60° 55°	
<b>NES25</b>	<b>M32 - M54</b>	1"1/4-2"1/8	7/8-1"3/4	163 x 81		NESRK2560° NESRK2555°	60° 55°	
<b>NES26</b>	<b>M32 - M68</b>	1"1/4-2"7/8	7/8-2"1/4	163 x 81		NESRK2660° NESRK2655°	60° 55°	
<b>NES27</b>	<b>M69 - M81</b>	2"3/4-3"3/16	2"1/4-2"3/4	163 x 103		NESRK2660° NESRK2655°	60° 55°	
<b>NES28</b>	<b>M82 - M95</b>	3"1/4-3"3/4	2"3/4-3"1/4	163 x 118		NESRK2660° NESRK2655°	60° 55°	
<b>NES29</b>	<b>M96 - M108</b>	3"3/4-4"1/4	3"1/2-4"	163 x 132		NESRK2660° NESRK2655°	60° 55°	